

Transfer Station
 Latitude: N 43° - 48' - 58"
 Longitude: W 71° - 17' - 48"
 Elevation: Approx. 850'

PRELIMINARY
 Subject to Field Verifications
 &
 Further Investigations

CONCEPTUAL
 SUBJECT TO CLIENT REVIEW

INDEX TO DRAWINGS

- 50 Location Map and Index to Drawings
- 51 General Notes and Summary of Quantities
- 52 Existing Site Plan
- 53 Design Vehicle Turning Radii
- 54 Proposed Traffic Plan ~ Option "G"
- 55 To Be Used for Future Drawings
- 56 To Be Used for Future Drawings
- 57 To Be Used for Future Drawings
- 58 To Be Used for Future Drawings
- 59 Proposed Profiles at "A" & "B" Lines
- 60 Proposed Traffic Sections ~ West
- 61 Proposed Traffic Sections ~ East
- 62 - 70 To Be Used for Future Drawings
- 71 Recycle Building Ground Floor Plan
- 72 Recycle Building Floor Plan
- 73 Westernly Wall Elevations at Recycle Building
- 74 Typical Section at Concrete Block Retaining Walls

PROPOSED FACILITY IMPROVEMENTS

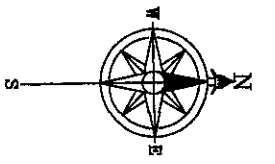
REFUSE DISPOSAL TRANSFER & RECYCLING STATION ~ TAMWORTH, NEW HAMPSHIRE

PROJECT LOCATION MAP

SCALE: _____ NTS

CAD FILE: Steel Bldg.dwg

PREPARED FOR TOWN OF TAMWORTH NH ROUTE 25, TAMWORTH, NH		PREPARED BY KNOX ASSOCIATES ENGINEERING CONSULTANTS 134 Country Way, No. Berwick, ME 03906 53 Dismukes Street, Kittery, NH 03904 (603) 662-5644		ARCHITECTURAL - CIVIL - STRUCTURAL																	
PROJECT PROPOSED STEEL BUILDING TRANSFER STATION		SHEET DESCRIPTION PROJECT LOCATION MAP & INDEX TO DRAWINGS		<table border="1"> <thead> <tr> <th>REV</th> <th>DATE</th> <th>BY</th> <th>DESCRIPTION</th> </tr> </thead> <tbody> <tr> <td>0</td> <td>5.14.21</td> <td>BK</td> <td>RELEASED WITH BUDGETARY COST ESTIMATE</td> </tr> <tr> <td>0</td> <td>3.20.21</td> <td>BK</td> <td>RELEASED FOR TEAM REVIEW</td> </tr> <tr> <td>0</td> <td>2.20.21</td> <td>BK</td> <td>RELEASED FOR TEAM REVIEW</td> </tr> </tbody> </table>		REV	DATE	BY	DESCRIPTION	0	5.14.21	BK	RELEASED WITH BUDGETARY COST ESTIMATE	0	3.20.21	BK	RELEASED FOR TEAM REVIEW	0	2.20.21	BK	RELEASED FOR TEAM REVIEW
REV	DATE	BY	DESCRIPTION																		
0	5.14.21	BK	RELEASED WITH BUDGETARY COST ESTIMATE																		
0	3.20.21	BK	RELEASED FOR TEAM REVIEW																		
0	2.20.21	BK	RELEASED FOR TEAM REVIEW																		
DESIGN: BRK DATE: 8.12.20 DRAWN: BRK CHECK:	SHEET 50	JOB 200722																			



PRELIMINARY
 Subject to Field Verifications
 &
 Further Investigations

CONCEPTUAL
 SUBJECT TO CLIENT REVIEW



NOTES:

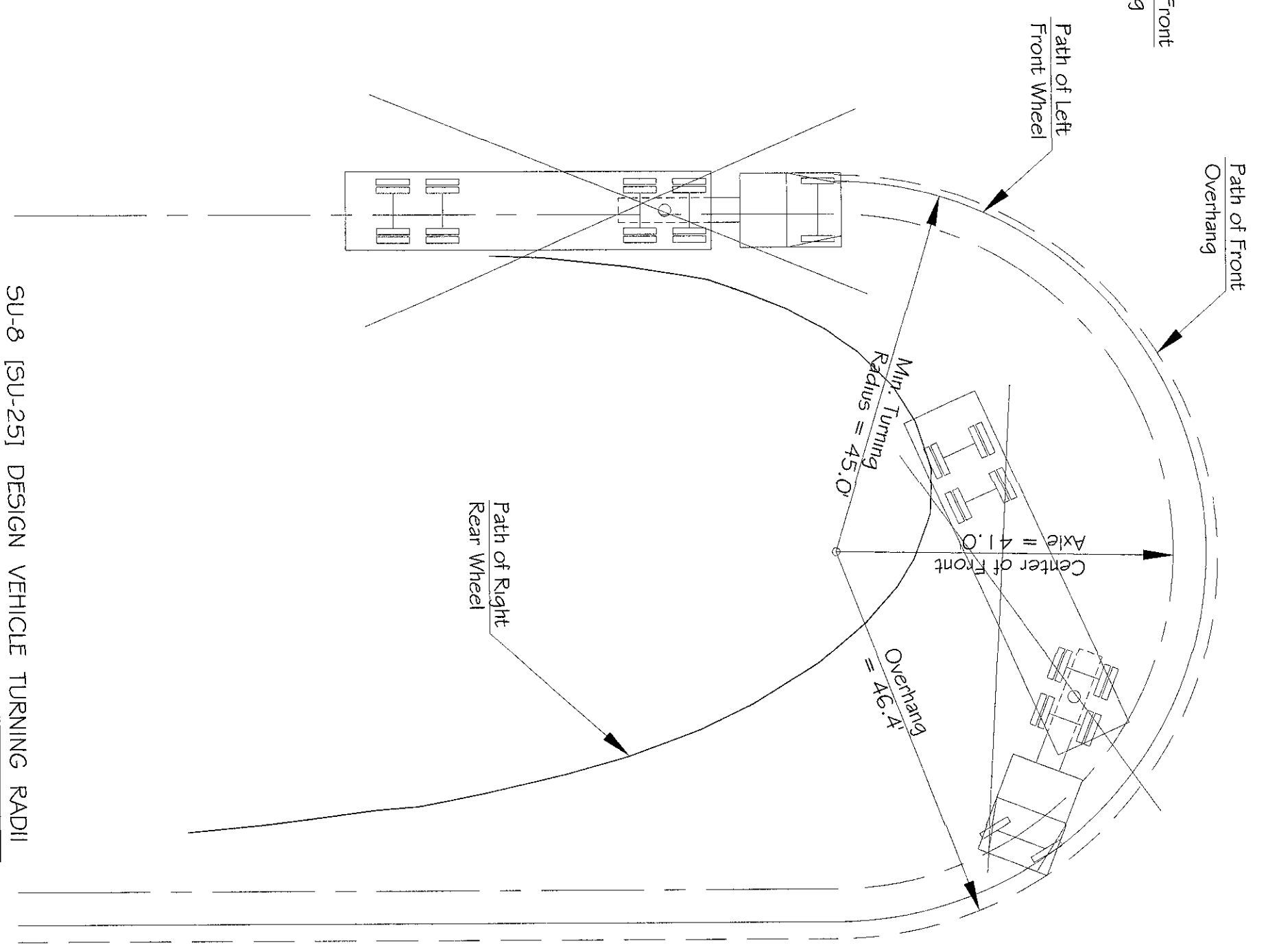
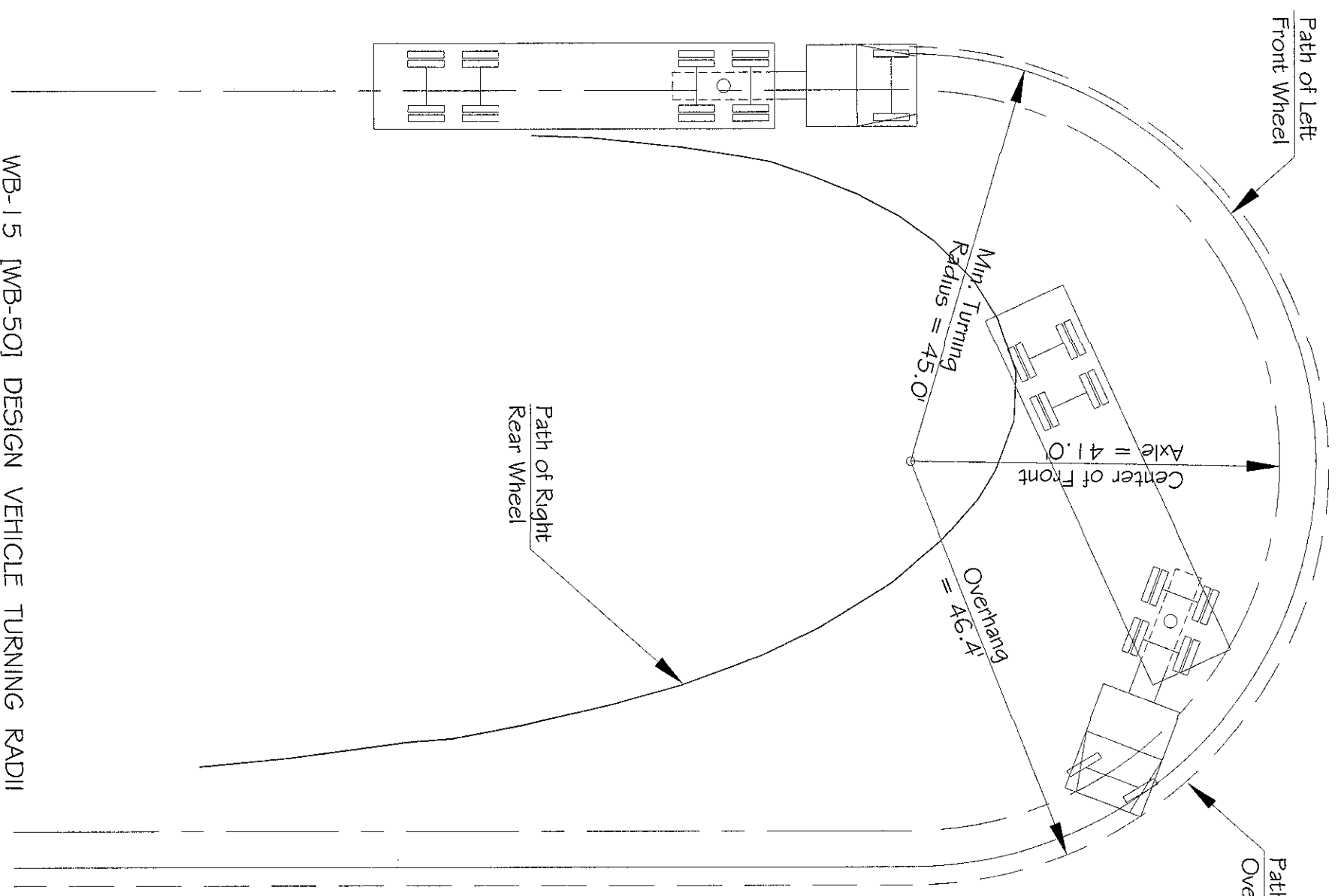
1. This drawing attempts to duplicate the elevations / contours and appurtenances from a plan provided to this Office by the Town of Tamworth, which represents an apparent field survey conducted by HEB Civil Engineers, dated 03.10.2003, titled: "Stormwater Pollution Prevention Plan Site Map of the Tamworth Transfer Station prepared for the Town of Tamworth", identified as Sheet 1 of 1, SP-1.
2. Elevations shown "are based on an assumed elevation of 100.00' at Station 1 and determined by trigonometric leveling", per Note 2 of the aforementioned HEB Plan Site Map drawing SP-1.
3. Referencing Note 4 on the aforementioned HEB Plan, an apparent wetland delineation and subsequent boundaries thereof were determined on or about 06.02.1999. Said Note further indicates that the locations thereof were established "by topographical survey." After cursory review, it's recommended that Area "E" be reinvestigated.

EXISTING SITE PLAN

Scale: 1" = 100'

CAD FILE Steel Bldg.dwg

PREPARED FOR TOWN OF TAMWORTH NH ROUTE 25, TAMWORTH, NH	PREPARED BY KNOX ASSOCIATES ENGINEERING CONSULTANTS 120 Smith Road, Palmyra, ME 04965 53 Dismukes Street, Kittery, NH 03904 (603) 662-5644	<table border="1" style="width: 100%; border-collapse: collapse;"> <tr> <td style="width: 10%;"></td> <td style="width: 10%;"></td> <td style="width: 10%;"></td> <td style="width: 10%;"></td> <td style="width: 10%;"></td> <td style="width: 10%;"></td> <td style="width: 10%;"></td> <td style="width: 10%;"></td> </tr> <tr> <td style="text-align: center;">0</td> <td style="text-align: center;">5.14.21</td> <td style="text-align: center;">BK</td> <td colspan="5">RELEASED FOR TEAM REVIEW</td> </tr> <tr> <td style="text-align: center;">0</td> <td style="text-align: center;">2.20.21</td> <td style="text-align: center;">BK</td> <td colspan="5">RELEASED FOR TEAM REVIEW</td> </tr> <tr> <td style="text-align: center;">REV</td> <td style="text-align: center;">DATE</td> <td style="text-align: center;">BY</td> <td colspan="5" style="text-align: center;">DESCRIPTION</td> </tr> </table>									0	5.14.21	BK	RELEASED FOR TEAM REVIEW					0	2.20.21	BK	RELEASED FOR TEAM REVIEW					REV	DATE	BY	DESCRIPTION					<table border="1" style="width: 100%; border-collapse: collapse;"> <tr> <td style="width: 50%;">PROJECT</td> <td style="width: 50%;">SHEET</td> </tr> <tr> <td style="text-align: center;">PROPOSED STEEL BUILDING TRANSFER STATION</td> <td style="text-align: center;">52</td> </tr> <tr> <td colspan="2" style="text-align: center;">SHEET DESCRIPTION</td> </tr> <tr> <td colspan="2" style="text-align: center;">EXISTING SITE PLAN</td> </tr> <tr> <td style="width: 50%;">JOB</td> <td style="width: 50%;">CHECK:</td> </tr> <tr> <td style="text-align: center;">200722</td> <td></td> </tr> </table>	PROJECT	SHEET	PROPOSED STEEL BUILDING TRANSFER STATION	52	SHEET DESCRIPTION		EXISTING SITE PLAN		JOB	CHECK:	200722	
0	5.14.21	BK	RELEASED FOR TEAM REVIEW																																												
0	2.20.21	BK	RELEASED FOR TEAM REVIEW																																												
REV	DATE	BY	DESCRIPTION																																												
PROJECT	SHEET																																														
PROPOSED STEEL BUILDING TRANSFER STATION	52																																														
SHEET DESCRIPTION																																															
EXISTING SITE PLAN																																															
JOB	CHECK:																																														
200722																																															



WB-15 [WB-50] DESIGN VEHICLE TURNING RADII

Scale: 1/16" = 1'-0"

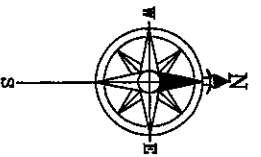
SU-8 [SU-25] DESIGN VEHICLE TURNING RADII

Scale: 1/16" = 1'-0"

CAD FILE: Steel Building.dwg

<p>PREPARED FOR</p> <p>TOWN OF TAMWORTH NH ROUTE 25, TAMWORTH, NH</p>	<p>PREPARED BY</p> <p>KNOX ASSOCIATES</p> <p>ENGINEERING CONSULTANTS</p> <p>120 Smith Road, Paimyra, ME 04965 53 Dismukes Street, Kittery, NH 03904 (603) 662-5644</p>	<table border="1"> <thead> <tr> <th>REV</th> <th>DATE</th> <th>BY</th> <th>DESCRIPTION</th> </tr> </thead> <tbody> <tr> <td>0</td> <td>5.14.21</td> <td>BK</td> <td>RELEASED WITH BUDGETARY COST ESTIMATE</td> </tr> </tbody> </table>	REV	DATE	BY	DESCRIPTION	0	5.14.21	BK	RELEASED WITH BUDGETARY COST ESTIMATE
REV	DATE	BY	DESCRIPTION							
0	5.14.21	BK	RELEASED WITH BUDGETARY COST ESTIMATE							
<p>PROJECT</p> <p>PROPOSED STEEL BUILDING TRANSFER STATION</p>	<p>ARCHITECTURAL - CIVIL - STRUCTURAL</p>									
<p>SHEET DESCRIPTION</p> <p>DESIGN VEHICLE TURNING RADII</p>										
<p>DESIGNER: BRK</p> <p>DATE: 8.12.20</p> <p>DRAWN: BRK</p> <p>CHECK:</p>	<p>SHEET</p> <p>53</p> <p>JOB</p> <p>200722</p>									

PRELIMINARY
 Subject to Field Verifications
 Further Investigations



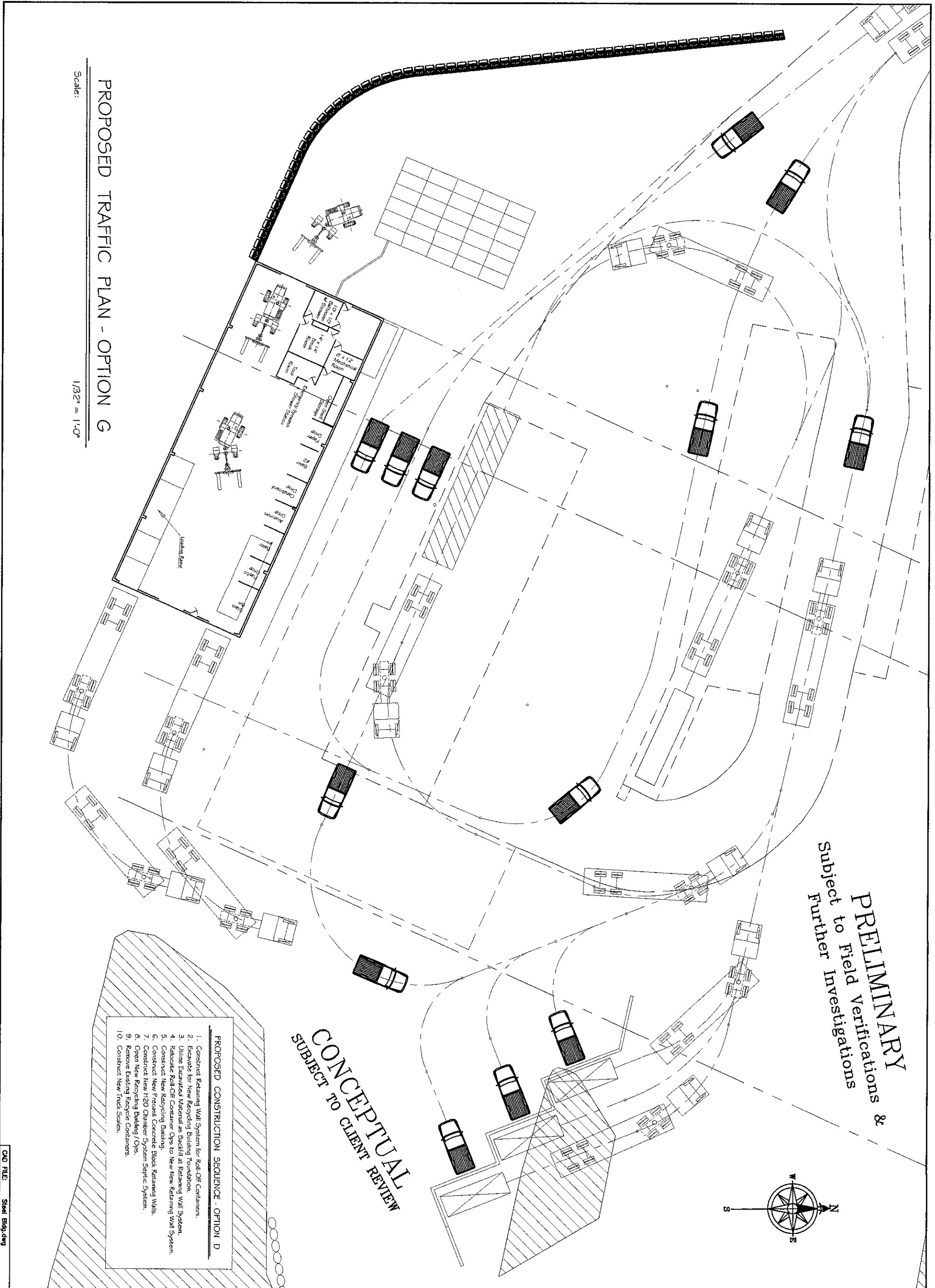
CONCEPTUAL
 SUBJECT TO CLIENT REVIEW

- PROPOSED CONSTRUCTION SEQUENCE - OPTION D**
1. Construct Retaining Wall System for Roll-Off Containers.
 2. Excavate for New Recycling Building Foundation.
 3. Utilize Excavated Material as Backfill at Retaining Wall System.
 4. Relocate Roll-Off Container Ops to New New Retaining Wall System.
 5. Construct New Recycling Building.
 6. Construct New Precast Concrete Block Retaining Walls.
 7. Construct New H2O Chamber System Septic System.
 8. Open New Recycling Building / Ops.
 9. Remove Existing Recycle Containers.
 10. Construct New Truck Scales.

PROPOSED TRAFFIC PLAN - OPTION G

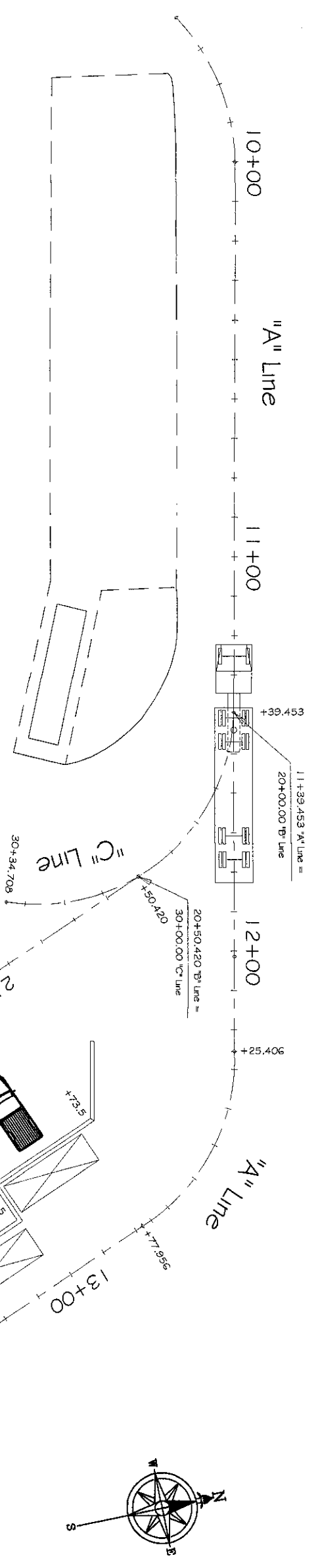
Scale:

1/32" = 1'-0"



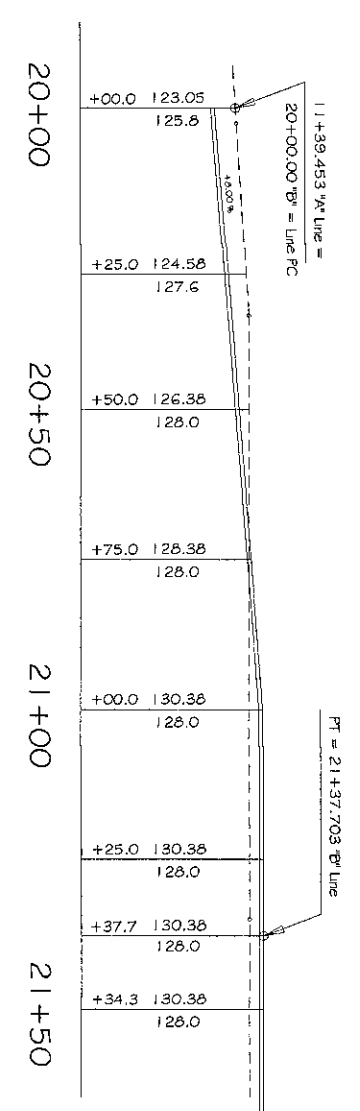
PREPARED FOR TOWN OF TAMWORTH NH ROUTE 25, TAMWORTH, NH		PREPARED BY KNOX ASSOCIATES ENGINEERING CONSULTANTS 120 Smith Road, Palmyra, ME 04965 53 Dismukes Street, Kittery, NH 03904 (603) 662-5644		<table border="1"> <tr> <td> </td> <td> </td> <td> </td> <td> </td> </tr> <tr> <td> </td> <td> </td> <td> </td> <td> </td> </tr> <tr> <td> </td> <td> </td> <td> </td> <td> </td> </tr> <tr> <td>0</td> <td>5.14.21</td> <td>BK</td> <td>RELEASED WITH BUDGETARY COST ESTIMATE</td> </tr> <tr> <td>0</td> <td>4.10.21</td> <td>BK</td> <td>RELEASED FOR CLIENT REVIEW & COORDINATION</td> </tr> <tr> <td>REV</td> <td>DATE</td> <td>BY</td> <td>DESCRIPTION</td> </tr> </table>														0	5.14.21	BK	RELEASED WITH BUDGETARY COST ESTIMATE	0	4.10.21	BK	RELEASED FOR CLIENT REVIEW & COORDINATION	REV	DATE	BY	DESCRIPTION
0	5.14.21	BK	RELEASED WITH BUDGETARY COST ESTIMATE																										
0	4.10.21	BK	RELEASED FOR CLIENT REVIEW & COORDINATION																										
REV	DATE	BY	DESCRIPTION																										
PROJECT PROPOSED STEEL BUILDING TRANSFER STATION		ARCHITECTURAL - CIVIL - STRUCTURAL		SHEET 54																									
SHEET DESCRIPTION PROPOSED TRAFFIC PLAN - OPTION G		JOB 200722		CHECK:																									

CAD FILE: Steel Bldg.dwg



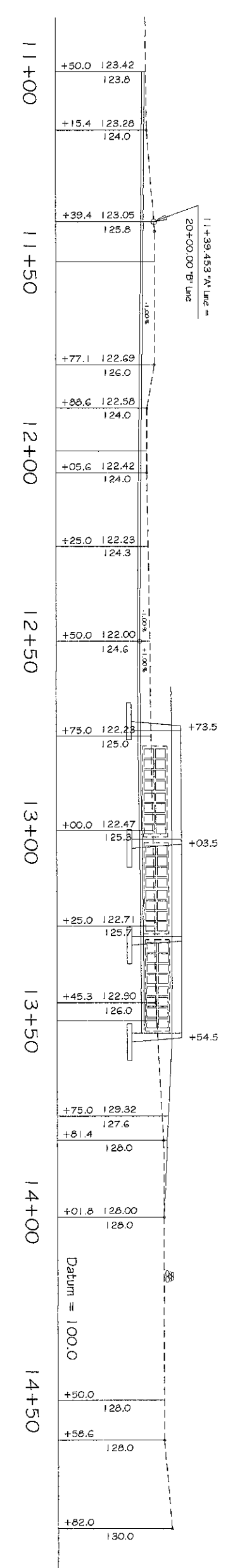
PARTIAL ALIGNMENT PLAN ~ OPTION G

Scale: 1/32" = 1'-0"



PROPOSED PROFILE @ "B" LINE

Scale: 1/32" = 1'-0"



PROPOSED PROFILE @ "A" LINE

Scale: 1/32" = 1'-0"

PRELIMINARY
Subject to Field Verifications & Further Investigations

CONCEPTUAL
SUBJECT TO CLIENT REVIEW

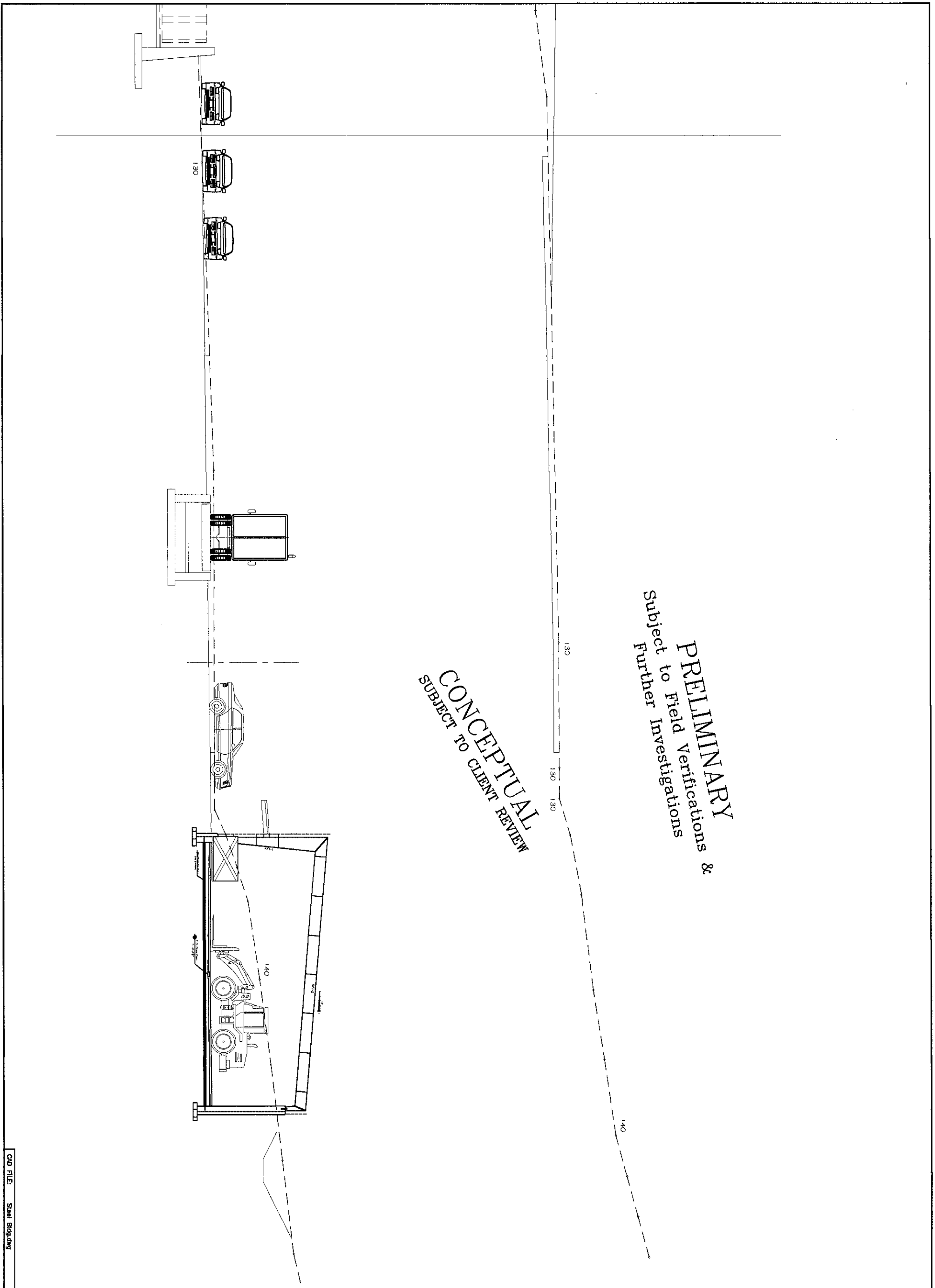
CAD FILE: Steel Bldg.dwg

REV	DATE	BY	DESCRIPTION
0	5.14.21	BK	RELEASED WITH BUDGETARY COST ESTIMATE

PREPARED BY
KNOX ASSOCIATES
ENGINEERING CONSULTANTS
120 Smith Road, Palmyra, ME 04965
53 Dismukes Street, Kittery, NH 03904
(603) 662-5644
ARCHITECTURAL - CIVIL - STRUCTURAL

PREPARED FOR
TOWN OF TAMWORTH
NH ROUTE 25, TAMWORTH, NH
PROJECT
PROPOSED STEEL BUILDING
TRANSFER STATION
SHEET DESCRIPTION
PROPOSED PROFILES @ A & B LINES

DESIGN: BRK
DATE: 4.29.21
DRAWN: BRK
JOB: 200722
SHEET: 59

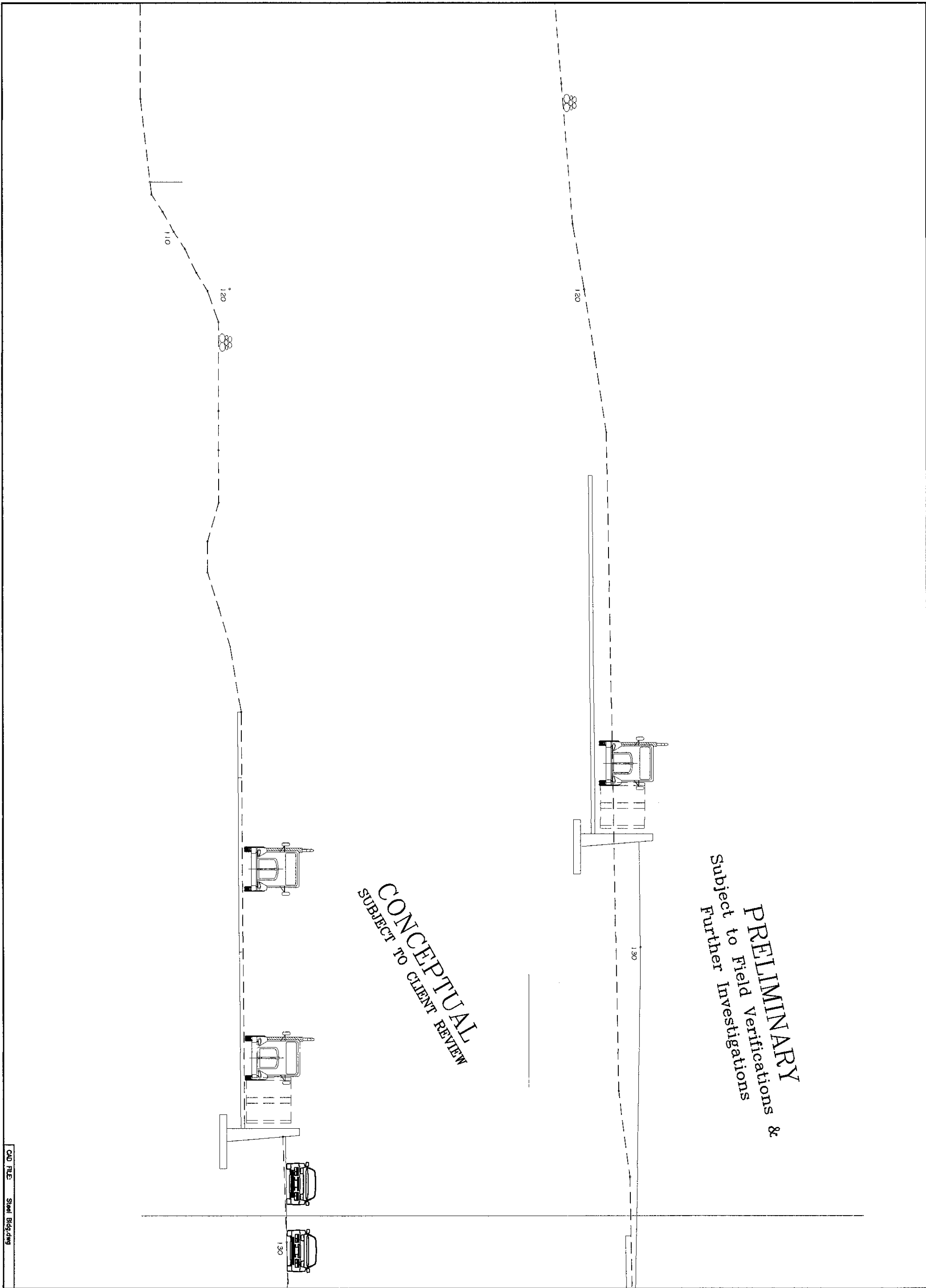


CONCEPTUAL
SUBJECT TO CLIENT REVIEW

PRELIMINARY
Subject to Field Verifications &
further Investigations

CAD FILE: Steel Bldg.dwg

DESIGN: BRK DATE: 8.12.20 DRAWN: BRK CHECK: SHEET: 60 JOB: 200722	PREPARED FOR TOWN OF TAMWORTH NH ROUTE 25, TAMWORTH, NH	PREPARED BY KNOX ASSOCIATES ENGINEERING CONSULTANTS 120 Smith Road, Palmyra, ME 04965 53 Dismukes Street, Kittery, NH 03904 (603) 662-5644				
	PROJECT PROPOSED STEEL BUILDING TRANSFER STATION	ARCHITECTURAL - CIVIL - STRUCTURAL				
	SHEET DESCRIPTION PROPOSED TRAFFIC SECTIONS - WEST					
			REV	DATE	BY	DESCRIPTION
			0	5.14.21	BK	RELEASED WITH BUDGETARY COST ESTIMATE
			0	3.20.21	BK	RELEASED FOR CLIENT REVIEW & COORDINATION



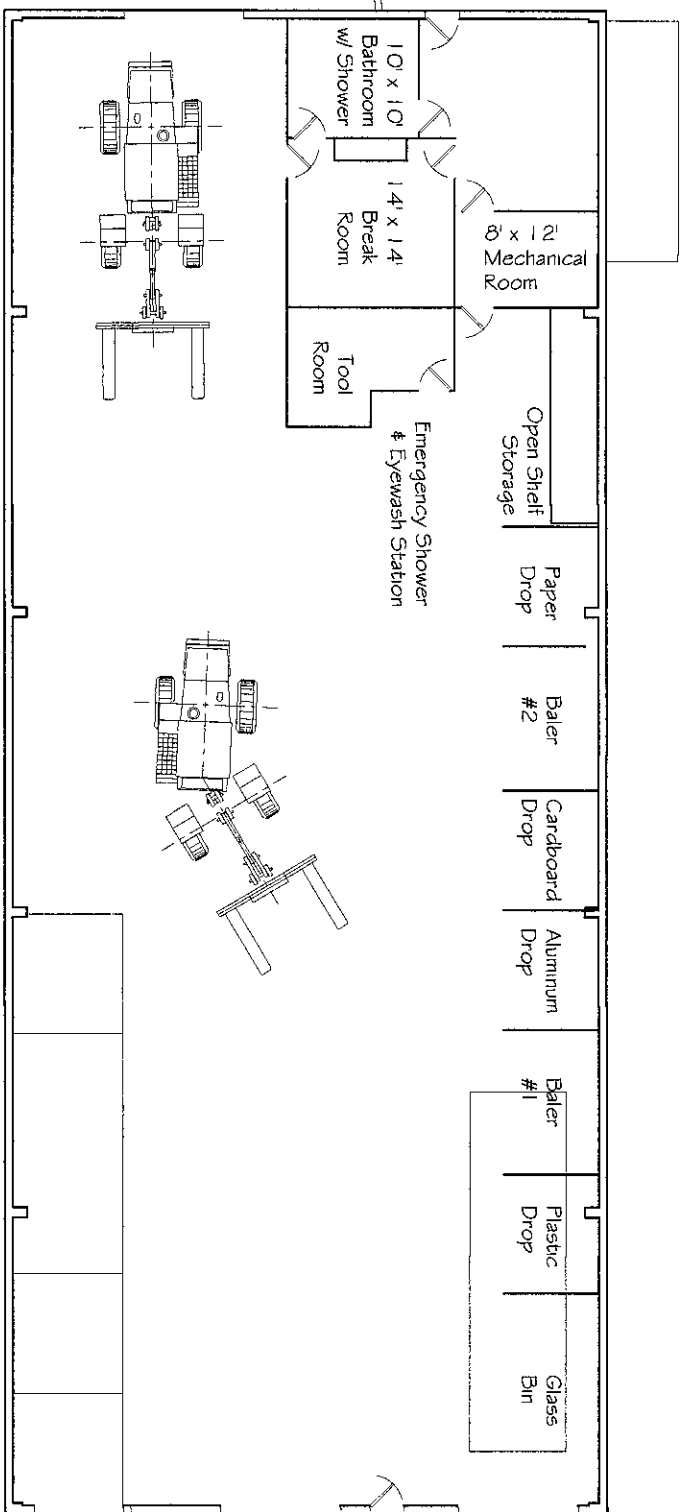
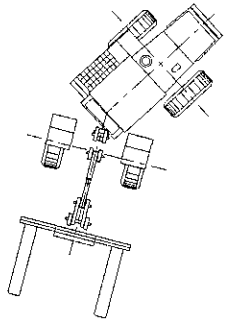
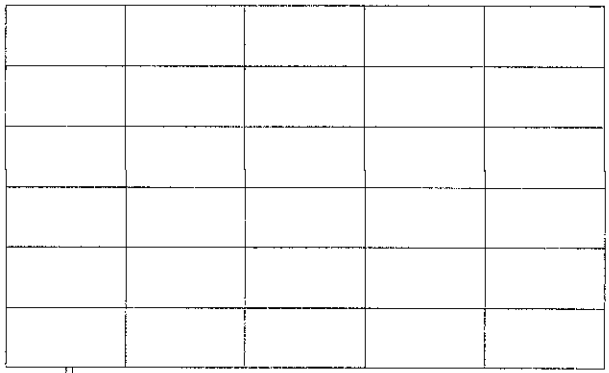
CONCEPTUAL
SUBJECT TO CLIENT REVIEW

PRELIMINARY
Subject to Field Verifications &
Further Investigations

CAD FILE: Steel Bldg.dwg

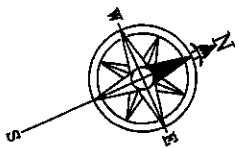
DESIGN: BRK DATE: 8.12.20 DRAWN: BRK CHECK:	SHEET: 61 JOB: 200722	PREPARED FOR TOWN OF TAMWORTH NH ROUTE 25, TAMWORTH, NH	PREPARED BY KNOX ASSOCIATES ENGINEERING CONSULTANTS 120 Smith Road, Palmyra, ME 04965 53 Dismukes Street, Kittery, NH 03904 (603) 662-5644	ARCHITECTURAL - CIVIL - STRUCTURAL	0 5.14.21 BK RELEASED WITH BUDGETARY COST ESTIMATE
	PROJECT PROPOSED STEEL BUILDING TRANSFER STATION	SHEET DESCRIPTION PROPOSED TRAFFIC SECTIONS - EAST			

PRELIMINARY
 Subject to Field Verifications &
 Further Investigations



RECYCLE BUILDING GROUND FLOOR PLAN
 Scale: 1/16" = 1'-0"

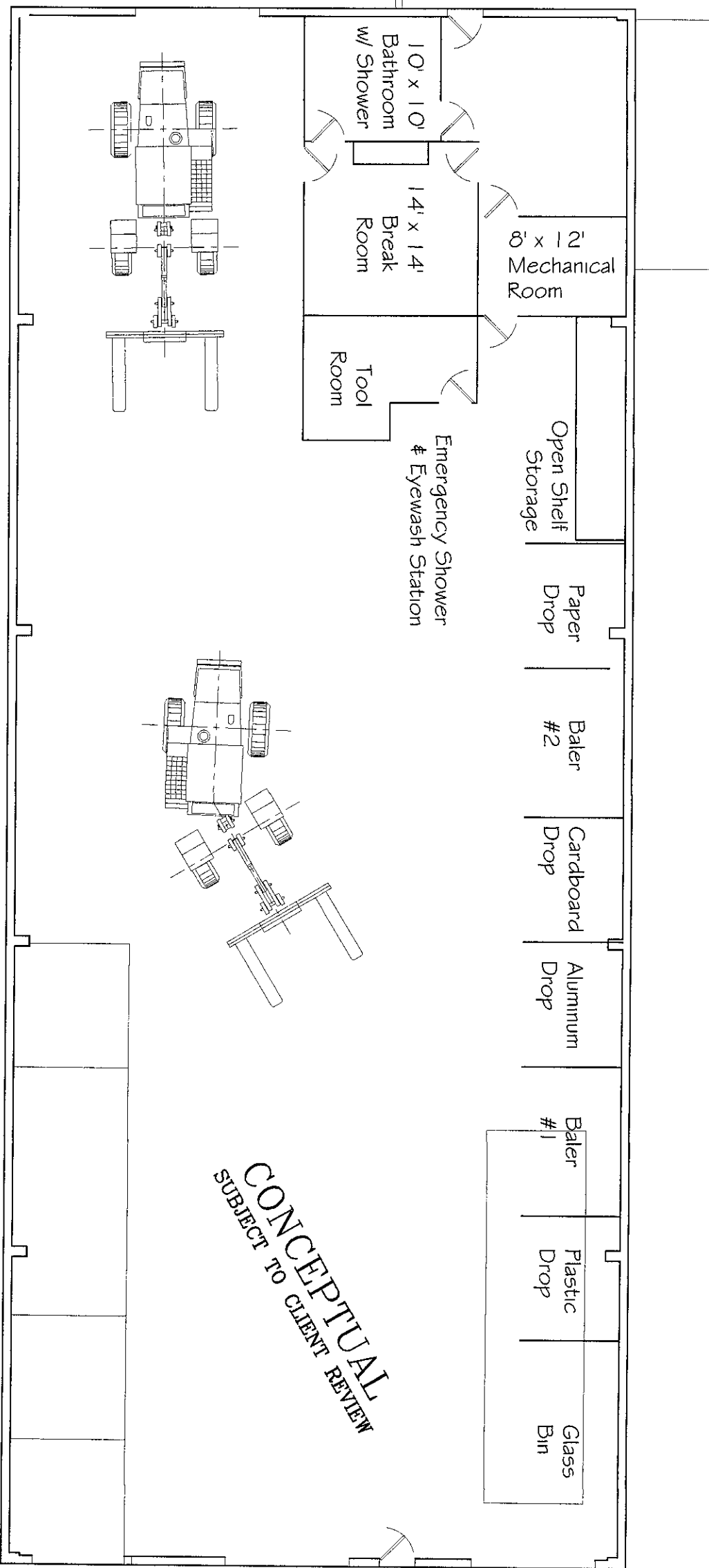
CONCEPTUAL
 SUBJECT TO CLIENT REVIEW



CAD FILE: Steel Bldg.dwg

PREPARED FOR TOWN OF TAMWORTH NH ROUTE 25, TAMWORTH, NH		PREPARED BY KNOX ASSOCIATES ENGINEERING CONSULTANTS 120 Smith Road, Palmyra, ME 04965 53 Dismukes Street, Kittery, NH 03904 (603) 662-5644		SHEET 71	
PROJECT PROPOSED STEEL BUILDING TRANSFER STATION		ARCHITECTURAL - CIVIL - STRUCTURAL		SHEET DESCRIPTION RECYCLE BUILDING GROUND FLOOR PLAN	
DESIGN: BRK DATE: 8.12.20 DRAWN: BRK CHECK:	JOB 200722	REV 0 0	DATE 4.23.21 4.23.21	BY BK BK	DESCRIPTION RELEASED WITH BUDGETARY COST ESTIMATE RELEASED FOR CLIENT REVIEW

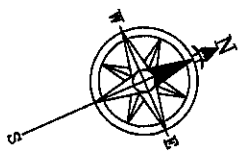
PRELIMINARY
 Subject to Field Verifications &
 Further Investigations



CONCEPTUAL
 SUBJECT TO CLIENT REVIEW

RECYCLE BUILDING FLOOR PLAN

Scale: 3/32" = 1'-0"



CAD FILE: Steel Bldg.dwg

REV	DATE	BY	DESCRIPTION
0	4.23.21	BK	RELEASED WITH BUDGETARY COST ESTIMATE
0	4.23.21	BK	RELEASED FOR CLIENT REVIEW

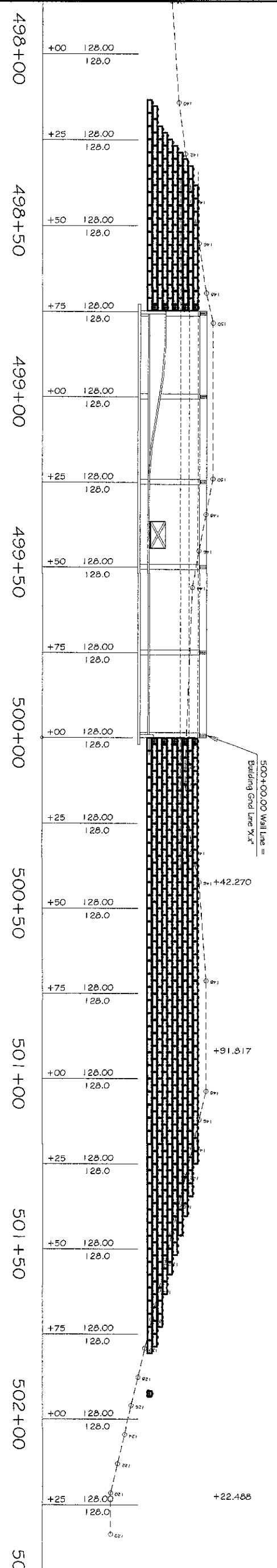
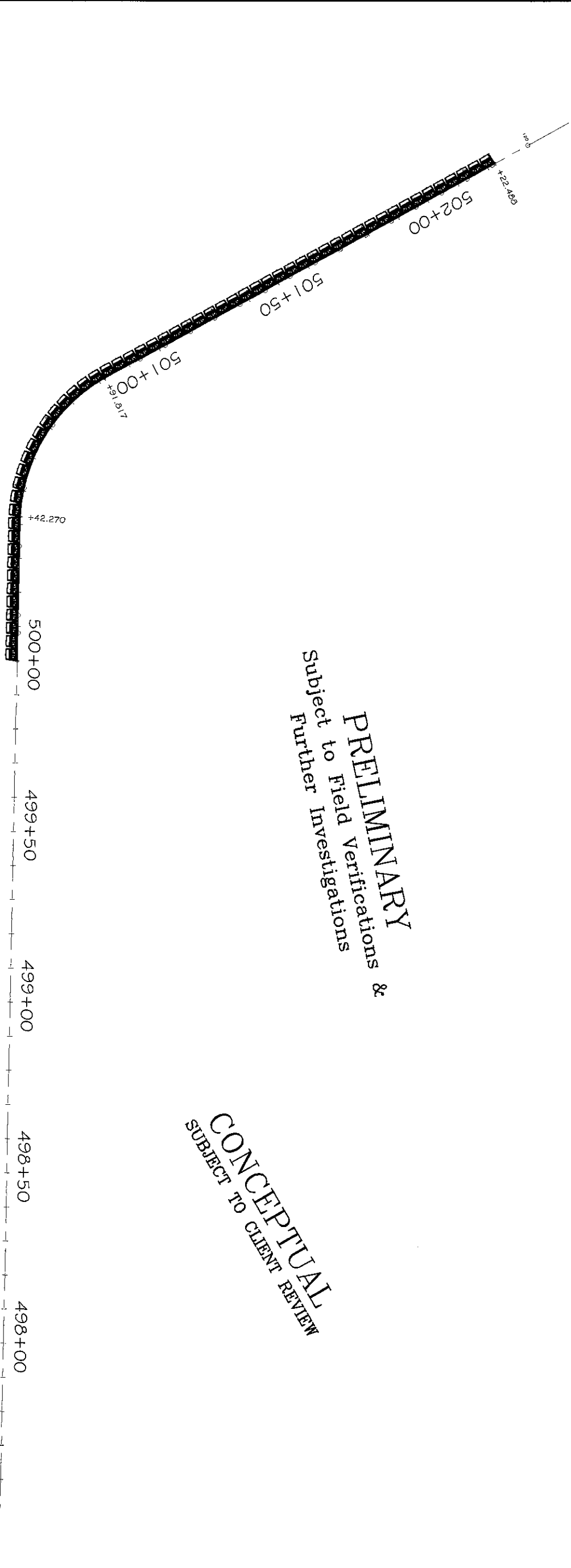
PREPARED BY
KNOX ASSOCIATES
 ENGINEERING CONSULTANTS
 120 Smith Road, Palmyra, ME 04965
 53 Dismukes Street, Kittery, NH 03904
 (603) 662-5644
 ARCHITECTURAL - CIVIL - STRUCTURAL

PREPARED FOR
TOWN OF TAMWORTH
 NH ROUTE 25, TAMWORTH, NH

PROJECT
 PROPOSED STEEL BUILDING
 TRANSFER STATION

SHEET DESCRIPTION
 RECYCLE BUILDING FLOOR PLAN

DESIGN: BRK
 DATE: 8.12.20
 DRAWING: BRK
 SHEET: 72
 JOB: 200722
 CHECK:



PRELIMINARY
 Subject to Field Verifications
 &
 Further Investigations

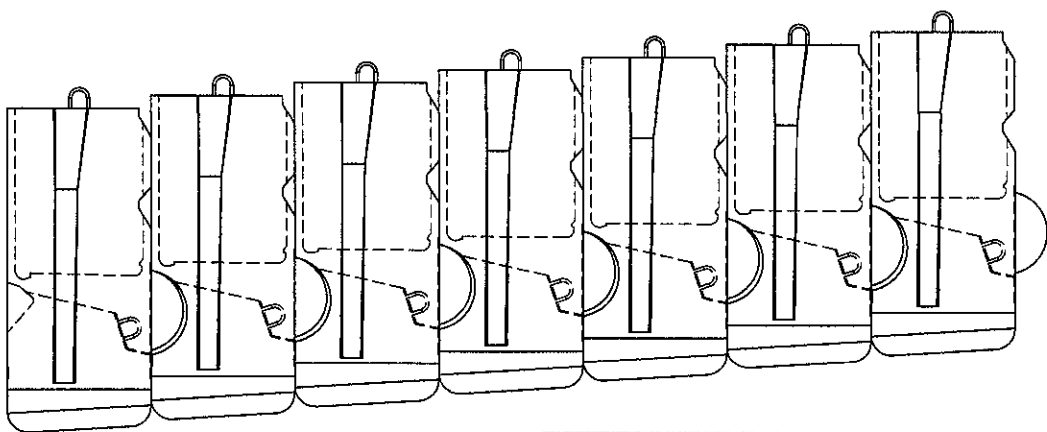
CONCEPTUAL
 SUBJECT TO CLIENT REVIEW

CAD FILE: Steel Bldg.dwg

DESIGN: BRK DATE: 4.29.21 DRAWN: BRK CHECK:	SHEET: 73 JOB: 200722	PREPARED FOR TOWN OF TAMWORTH NH ROUTE 25, TAMWORTH, NH	PREPARED BY KNOX ASSOCIATES ENGINEERING CONSULTANTS 120 Smith Road, Palmyra, ME 04965 53 Dismukes Street, Kittery, NH 03904 (603) 662-5644	ARCHITECTURAL - CIVIL - STRUCTURAL	0 5.14.21 BK RELEASED WITH BUDGETARY COST ESTIMATE
	PROJECT PROPOSED STEEL BUILDING TRANSFER STATION		SHEET DESCRIPTION WALL ELEVATIONS AT RECYCLE BUILDING		

PRELIMINARY
 Subject to Field Verifications &
 Further Investigations

CONCEPTUAL
 SUBJECT TO CLIENT REVIEW



C

CAD FILE: Steel Building

DESIGN: BRK DATE: 7.12.20 DRAWN: BRK CHECK: 200722	PREPARED FOR TOWN OF TAMWORTH NH ROUTE 25, TAMWORTH, NH	PREPARED BY KNOX ASSOCIATES				
	PROJECT PROPOSED STEEL BUILDING TRANSFER STATION	ENGINEERING CONSULTANTS 120 Smith Road, Palmyra, ME 04965 53 Dismukes Street, Kittery, NH 03904 (603) 662-5644				
	SHEET DESCRIPTION TYPICAL SECTION @ CONCRETE BLOCK WALLS	ARCHITECTURAL - CIVIL - STRUCTURAL				
			0	5.14.21	BRK	RELEASED WITH BUDGETARY COST ESTIMATE
			REV	DATE	BY	DESCRIPTION